



**WOOD
PASSION**



CONTENT

SAUNA BARRELS 4

SAUNA BARREL 1.7m x 1.97m	5
SAUNA BARREL 2.0m x 1.97m	5
SAUNA BARREL 2.4m x 1.97m	5
SAUNA BARREL 2.4m x 2.27m	6
SAUNA BARREL 3.0m x 1.97m	6
SAUNA BARREL 3.0m x 2.27m	6
SAUNA BARREL 3.5m x 1.97m	7
SAUNA BARREL 3.5m x 2.27m	7
SAUNA BARREL 4.0m x 1.97m	7
SAUNA BARREL 4.0m x 2.27m	8
SAUNA BARREL 4.5m x 1.97m	8
SAUNA BARREL 4.5m x 2.27m	8
SAUNA BARREL 4.8m x 1.97m	9
SAUNA BARREL 4.8m x 2.27m	9
SAUNA BARREL 5.9m x 1.97m	9
SAUNA BARREL 5.9m x 2.27m	10

SAUNA PODS 11

SAUNA POD 2.4m x 1.9m	12
SAUNA POD 2.4m x 2.4m	12
SAUNA POD 2.4m x 3.0m	12
SAUNA POD 2.4m x 4.0m	13
SAUNA POD 2.4m x 5.0m	13
SAUNA POD 2.4m x 5.9m	13

INDOOR SAUNA 14

CUSTOM SIZE INDOOR SAUNAS	15
MODUL SAUNA	16
SAUNA ACCESSORIES	17

HOT TUBS 18

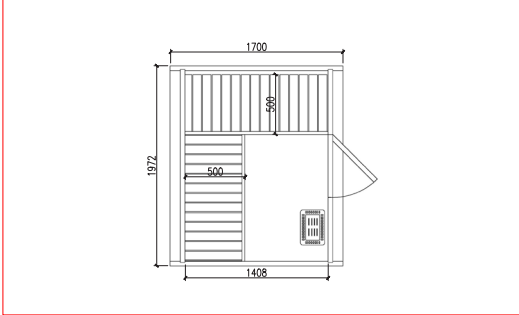
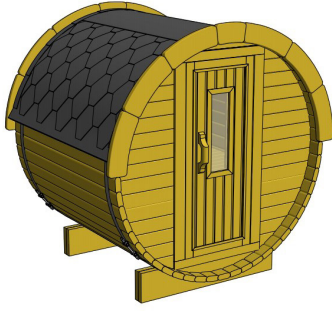
TYPES OF HOT TUBS	19
ROUND WITH OUTSIDE HEATER	20
SQUARE WITH OUTSIDE HEATER	20
DOUBLE HOT TUB	21
ROUND WITH INTEGRAL HEATER	21

EXTRAS 22



SAUNA BARRELS

SAUNA BARREL 1.7m X 1.97m



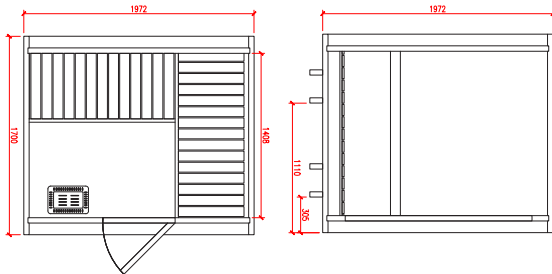
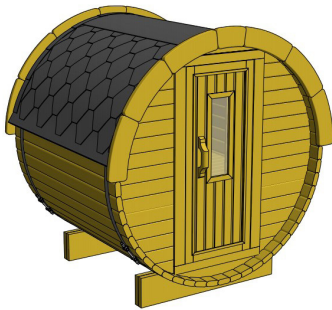
STANDARD SET

Wooden barrel
Stainless steel tightening bands
Roof covered with bitumen shingles
Wooden front door with tempered double glazed window, wooden handle and the lock
Heat-resistant plates for the heater
2 benches made from Aspen or Black Alder

SPECIFICATION

People: 2-4
Timber: Pinewood
Wall thickness: 44mm
Height: 2080 mm
Roof: Bitumen shingles
Door: Multi-layer glued pinewood;
700 x 1600 mm
Window in the door: Tempered double glazed; 295 x 580 mm

SAUNA BARREL 2.0m X 1.97m



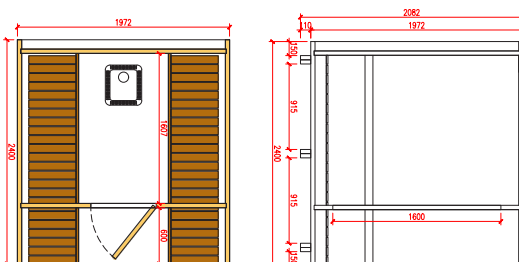
STANDARD SET

Wooden barrel
Stainless steel tightening bands
Roof covered with bitumen shingles
Wooden front door with tempered double glazed window, wooden handle and the lock
Heat-resistant plates for the heater
2 benches made from Aspen or Black Alder

SPECIFICATION

People: 2-4
Timber: Pinewood
Wall thickness: 44mm
Height: 2080 mm
Roof: Bitumen shingles
Door: Multi-layer glued pinewood;
700 x 1600 mm
Window in the door: Tempered double glazed; 295 x 580 mm

SAUNA BARREL 2.4m X 1.97m



STANDARD SET

Stainless steel tightening bands
Terrace of 0,6 m (possible without terrace)
Roof covered with bitumen shingles
Wooden front door with tempered double glazed window, wooden handle and the lock
2 Tempered double glazed windows in the front or in the back side of the barrel
Heat-resistant plates for the heater
2 side benches made from Aspen or Black Alder in sauna room

SPECIFICATION

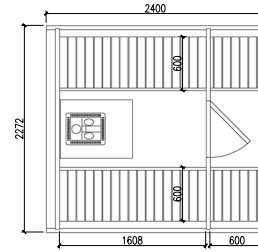
People: 4-6
Timber: Pinewood
Wall thickness: 44 mm
Height: 2080 mm (Ø 1,97 m)
Roof: Bitumen shingles
Terrace: 0,6m
Door: Multi-layer glued pinewood
700 x 1600 mm (Ø 1,97m)
Window in the door: Tempered double glazed; 295 x 580 mm
Windows (2 units): Tempered double glazed; 295 x 580 mm

STANDARD SET

Stainless steel tightening bands
Terrace of 0,6 m (possible without terrace)
Roof covered with bitumen shingles
Wooden front door with tempered double glazed window, wooden handle and the lock
2 Tempered double glazed windows in the front or in the back side of the barrel
Heat-resistant plates for the heater
2 side benches made from Aspen or Black Alder in sauna room

SPECIFICATION

People: 4-6
Timber: Pinewood
Wall thickness: 44 mm
Height: 2380 mm (Ø 2,27 m)
Roof: Bitumen shingles
Terrace: 0,6m
Door: Multi-layer glued pinewood
700 x 1800 mm (Ø 2,27m)
Window in the door: Tempered double glazed; 295 x 580 mm
Windows (2 units): Tempered double glazed; 295 x 580 mm



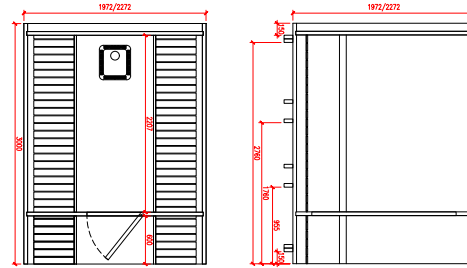
SAUNA BARREL 2.4m x 2.27m

STANDARD SET

Stainless steel tightening bands
Terrace of 0,6 m (possible without terrace)
Roof covered with bitumen shingles
Wooden front door with tempered double glazed window, wooden handle and the lock
2 Tempered double glazed windows in the front or in the back side of the barrel
Heat-resistant plates for the heater
2 side benches made from Aspen or Black Alder in sauna room

SPECIFICATION

People: 4-6
Timber: -Pinewood
Wall thickness: 44 mm
Height: 2080 mm (Ø 1,97 m)
Roof: Bitumen shingles
Terrace: 0,6m
Door: Multi-layer glued pinewood
700 x 1600 mm (Ø 1,97m)
Window in the door: Tempered double glazed; 295 x 580 mm
Windows (2 units): Tempered double glazed; 295 x 580 mm



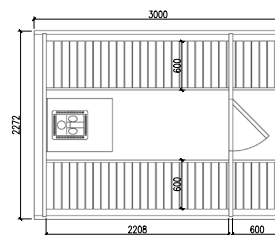
SAUNA BARREL 3.0m x 1.97m

STANDARD SET

Stainless steel tightening bands
Terrace of 0,6 m (possible without terrace)
Roof covered with bitumen shingles
Wooden front door with tempered double glazed window, wooden handle and the lock
2 Tempered double glazed windows in the front or in the back side of the barrel
Heat-resistant plates for the heater
2 side benches made from Aspen or Black Alder in sauna room

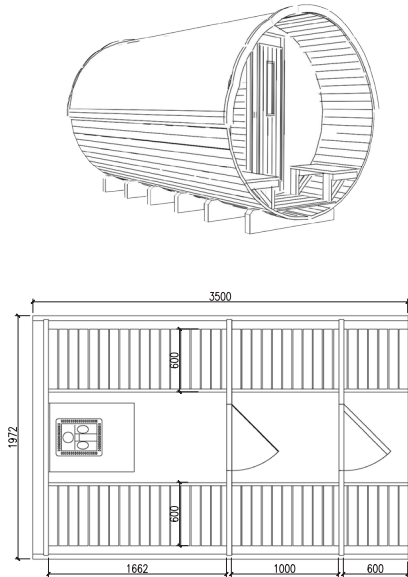
SPECIFICATION

People: 4-6
Timber: -Pinewood
Wall thickness: 44 mm
Height: 2380 mm (Ø 2,27 m)
Roof: Bitumen shingles
Terrace: 0,6m
Door: Multi-layer glued pinewood
700 x 1800 mm (Ø 2,27m)
Window in the door: Tempered double glazed; 295 x 580 mm
Windows (2 units): Tempered double glazed; 295 x 580 mm



SAUNA BARREL 3.0m x 2.27m

SAUNA BARREL 3.5m X 1.97m



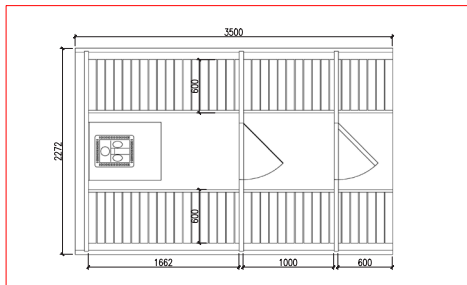
STANDARD SET

Stainless steel tightening bands
Terrace of 0,6 m (possible without terrace)
Roof covered with the shingles
Wooden front door with tempered double glazed window, wooden handle and the lock
2 Tempered double glazed windows in the front or in the back side barrel
Changing room of 1,0 m with a tempered tinted glass door (possible without ch. room)
Heat-resistant plates for the heater
2 side benches made from Aspen or Black Alder

SPECIFICATION

People: 6-8
Timber: Pinewood
Wall thickness: 44 mm
Height: 2080 mm (Ø 1,97m),
Roof: Bitumen shingles
Terrace: 0,6m
Changing room: 1,0m
Outside door: Multi-layer glued pinewood;
700 x 1600 mm (Ø 1,97 m),
Window in the door: Tempered double glazed; 295 x 580 mm
Changing room door: Tempered tinted glass door; 620 x 1550 mm (Ø 1,97 m)
Windows (2 units): Tempered double glazed; 295 x 580 mm

SAUNA BARREL 3.5m X 2.27m



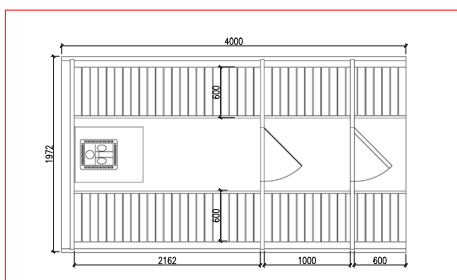
STANDARD SET

Stainless steel tightening bands
Terrace of 0,6 m (possible without terrace)
Roof covered with the shingles
Wooden front door with tempered double glazed window, wooden handle and the lock
2 Tempered double glazed windows in the front or in the back side barrel
Changing room of 1,0 m with a tempered tinted glass door (possible without ch. room)
Heat-resistant plates for the heater
2 side benches made from Aspen or Black Alder

SPECIFICATION

People: 6-8
Timber: Pinewood
Wall thickness: 44 mm
Height: 2380 mm (Ø 2,27m)
Roof: Bitumen shingles
Terrace: 0,6m
Changing room: 1,0m
Outside door: Multi-layer glued pinewood;
700 x 1800 mm (Ø 2,27 m)
Window in the door: Tempered double glazed; 295 x 580 mm
Changing room door: Tempered tinted glass door; 620 x 1750 mm (Ø 2,27 m)
Windows (2 units): Tempered double glazed; 295 x 580 mm

SAUNA BARREL 4.0m X 1.97m



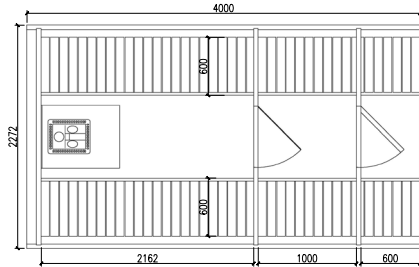
STANDARD SET

Stainless steel tightening bands
Terrace of 0,6 m (possible without terrace)
Roof covered with the shingles
Wooden front door with tempered double glazed window, wooden handle and the lock
2 Tempered double glazed windows in the front or in the back side barrel
Changing room of 1,0 m with a tempered tinted glass door (possible without ch. room)
Heat-resistant plates for the heater
2 side benches made from Aspen or Black Alder

SPECIFICATION

People: 6-8
Timber: Pinewood
Wall thickness: 44 mm
Height: 2080 mm (Ø 1,97m),
Roof: Bitumen shingles
Terrace: 0,6m
Changing room: 1,0m
Outside door: Multi-layer glued pinewood; 700 x 1600 mm (Ø 1,97 m),
Window in the door: Tempered double glazed; 295 x 580 mm
Changing room door: Tempered tinted glass door;
620 x 1550 mm (Ø 1,97 m)
Windows (2 units): Tempered double glazed; 295 x 580 mm

SAUNA BARREL 4.0m X 2.27m



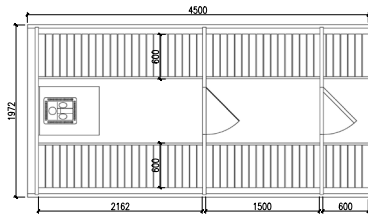
STANDARD SET

Stainless steel tightening bands
Terrace of 0,6 m (possible without terrace)
Roof covered with the shingles
Wooden front door with tempered double glazed window, wooden handle and the lock
2 Tempered double glazed windows in the front or in the back side barrel
Changing room of 1,0 m with a tempered tinted glass door (possible without ch. room)
Heat-resistant plates for the heater
2 side benches made from Aspen or Black Alder

SPECIFICATION

People: 6-8
Timber: Pinewood
Wall thickness: 44 mm
Height: 2380 mm (Ø 2,27m)
Roof: Bitumen shingles
Terrace: 0,6m
Changing room: 1,0m
Outside door: Multi-layer glued pinewood; 700 x 1800 mm (Ø 2,27 m)
Window in the door: Tempered double glazed; 295 x 580 mm
Changing room door: Tempered tinted glass door; 620 x 1750 mm (Ø 2,27 m)
Windows (2 units): Tempered double glazed; 295 x 580 mm

SAUNA BARREL 4.5m X 1.97m



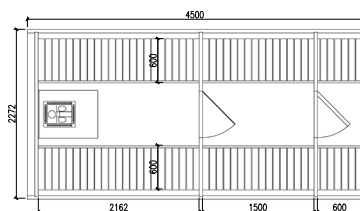
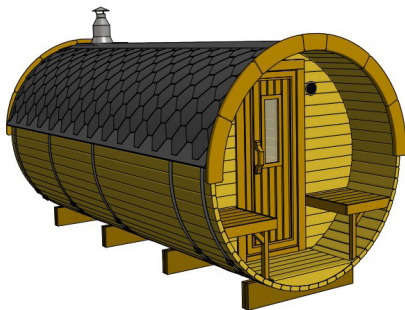
STANDARD SET

Wooden barrel
Stainless steel tightening bands
Terrace of 0,6 m (possible without terrace)
Roof covered with the shingles
Wooden front door with tempered double glazed window, wooden handle and the lock
2 Tempered double glazed windows in the front or in the back side of the barrel
Changing room of 1,5 m with a tempered tinted glass door

SPECIFICATION

People: 6-8
Timber: Pinewood
Wall thickness: 44 mm
Height: 2080 mm (Ø 1,97m),
Roof: Bitumen shingles
Terrace: 0,6 m
Changing room: 1,5 m (Ø 1,97m)
Outside door: Multi-layer glued pinewood;
700 x 1600 mm (Ø 1,97m),
Window in the door: Tempered double glazed; 295 x 580 mm
Changing room door: Tempered tinted glass door; 620 x 1550 mm (Ø 1,97m),

SAUNA BARREL 4.5m X 2.27m



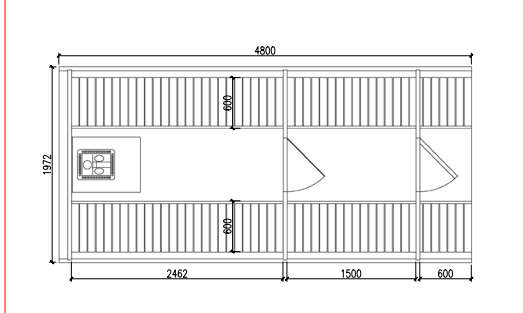
STANDARD SET

Wooden barrel
Stainless steel tightening bands
Terrace of 0,6 m (possible without terrace)
Roof covered with the shingles
Wooden front door with tempered double glazed window, wooden handle and the lock
2 Tempered double glazed windows in the front or in the back side of the barrel
Changing room of 1,5 m with a tempered tinted glass door

SPECIFICATION

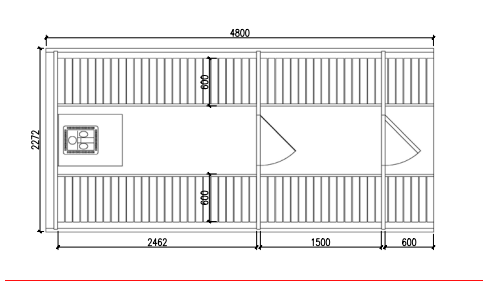
People: 6-8
Timber: Pinewood
Wall thickness: 44 mm
Height: 2380 mm (Ø 2,27m)
Roof: Bitumen shingles
Terrace: 0,6 m
Changing room: 1 m (Ø 2,27m)
Outside door: Multi-layer glued pinewood;
700 x 1800 mm (Ø 2,27m)
Window in the door: Tempered double glazed; 295 x 580 mm
Changing room door: Tempered tinted glass door; 620 x 1750 mm (Ø 2,27m)

STANDARD SET	SPECIFICATION
<p>Wooden barrel</p> <p>Stainless steel tightening bands</p> <p>Terrace of 0,6 m (possible without terrace)</p> <p>Roof covered with the shingles</p> <p>Wooden front door with tempered</p> <p>double glazed window, wooden handle and the lock</p> <p>2 Tempered double glazed windows</p> <p>in the front or in the back side of the barrel</p> <p>Changing room of 1,5 m with a tempered tinted glass door</p>	<p>People: 6-8</p> <p>Timber: Pinewood</p> <p>Wall thickness: 44 mm</p> <p>Height: 2080 mm (Ø 1,97m),</p> <p>Roof: Bitumen shingles</p> <p>Terrace: 0,6 m</p> <p>Changing room: 1,5 m (Ø 1,97m)</p> <p>Outside door: Multi-layer glued pinewood;</p> <p>700 x 1600 mm (Ø 1,97m),</p> <p>Window in the door: Tempered double glazed; 295 x 580 mm</p>



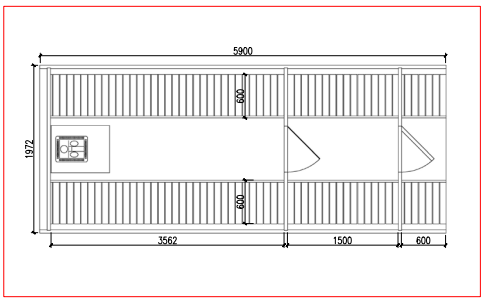
SAUNA BARREL 4.8m x 1.97m

STANDARD SET	SPECIFICATION
<p>Wooden barrel</p> <p>Stainless steel tightening bands</p> <p>Terrace of 0,6 m (possible without terrace)</p> <p>Roof covered with the shingles</p> <p>Wooden front door with tempered</p> <p>double glazed window, wooden handle and the lock</p> <p>2 Tempered double glazed windows</p> <p>in the front or in the back side of the barrel</p> <p>Changing room of 1,5 m with a tempered tinted glass door</p>	<p>People: 6-8</p> <p>Timber: Thermo-wood</p> <p>Wall thickness: 44 mm</p> <p>Height: 2380 mm (Ø 2,27m)</p> <p>Roof: Bitumen shingles</p> <p>Terrace: 0,6 m</p> <p>Changing room: 1 m (Ø 2,27m)</p> <p>Outside door: Multi-layer glued pinewood;</p> <p>700 x 1800 mm (Ø 2,27m)</p> <p>Window in the door: Tempered double glazed; 295 x 580 mm</p>



SAUNA BARREL 4.8m x 2.27m

STANDARD SET	SPECIFICATION
<p>Wooden barrel</p> <p>Stainless steel tightening bands</p> <p>Terrace of 0,6 m (possible without terrace)</p> <p>Roof covered with the shingles</p> <p>Wooden front door with tempered</p> <p>double glazed window, wooden handle and the lock</p> <p>2 Tempered double glazed windows</p> <p>in the front or in the back side of the barrel</p> <p>Changing room of 1,5 m with a tempered tinted glass door</p>	<p>People: 6-8</p> <p>Timber: Pinewood</p> <p>Wall thickness: 44 mm</p> <p>Height: 2080 mm (Ø 1,97m)</p> <p>Roof: Bitumen shingles</p> <p>Terrace: 0,6 m</p> <p>Changing room: 1,5 m (Ø 1,97m)</p> <p>Outside door: Multi-layer glued pinewood;</p> <p>700 x 1600 mm (Ø 1,97m),</p> <p>Window in the door: Tempered double glazed; 295 x 580 mm</p>

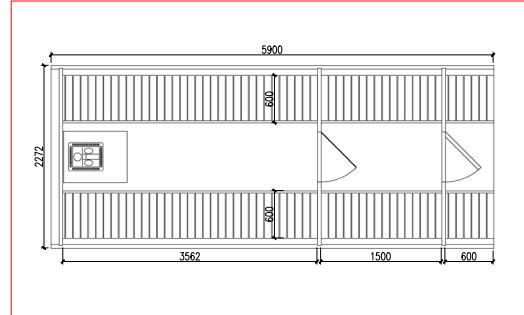
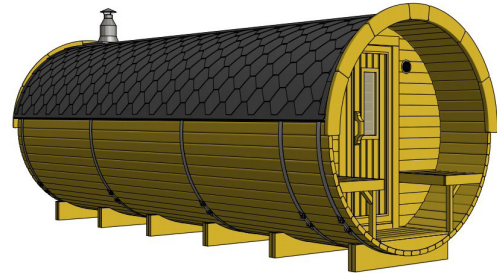


SAUNA BARREL 5.9m x 1.97m

STANDARD SET**SPECIFICATION**

Wooden barrel
Stainless steel tightening bands
Terrace of 0,6 m (possible without terrace)
Roof covered with the shingles
Wooden front door with tempered double glazed window, wooden handle and the lock
2 Tempered double glazed windows in the front or in the back side of the barrel
Changing room of 1,5 m with a tempered tinted glass door

People: 6-8
Timber: Pinewood
Wall thickness: 44 mm
Height: 2380 mm (Ø 2,27m)
Roof: Bitumen shingles
Terrace: 0,6 m
Changing room: 1 m (Ø 2,27m)
Outside door: Multi-layer glued pinewood;
700 x 1800 mm (Ø 2,27m)
Window in the door: Tempered double glazed; 295 x 580 mm

**SAUNA BARREL 5.9m x 2.27m**



SAUNA PODS

SAUNA POD 2.4m x 1.9m



STANDARD SET

SPECIFICATION

Walls covered with the bitumen shingles
 Door with tempered tinted glass, handle and the lock
 Floor made from 28 mm pinewood boards
 2 tempered double glazed windows in the sauna room
 portable benches for the feet rest
 Heat-resistant plates for heater/ stove

People: 2-4
 Timber: Pinewood
 Inside area: 3,7 m²
 Height: 2,6 m
 Wall thickness: 44 mm
 Floor thickness: 28 mm
 Roof: Bitumen shingles
 Door size: 850 x 1920 mm
 Windows (2 units):
 Tempered double glazed, 295 x 580 mm
 Terrace: not included

SAUNA POD 2.4m x 2.4m



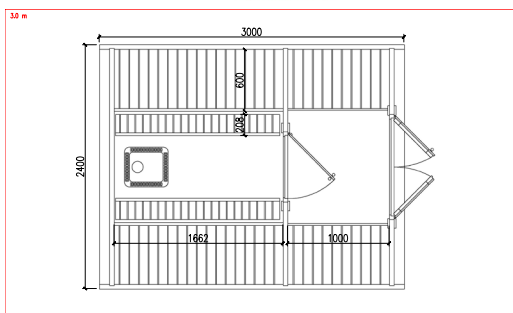
STANDARD SET

SPECIFICATION

Walls covered with the bitumen shingles
 Door with tempered tinted glass, handle and the lock
 Floor made from 28 mm pinewood boards
 2 tempered double glazed windows in the sauna room
 portable benches for the feet rest
 Heat-resistant plates for heater/ stove

People: 2-4
 Timber: Pinewood
 Inside area: 4,85 m²
 Height: 2,6 m
 Wall thickness: 44 mm
 Floor thickness: 28 mm
 Roof: Bitumen shingles
 Door size: 850 x 1920 mm
 Windows (2 units):
 Tempered double glazed, 295 x 580 mm
 Terrace: not included

SAUNA POD 2.4m x 3.0m



STANDARD SET

SPECIFICATION

Walls covered with the bitumen shingles
 Door with tempered tinted glass, handle and the lock
 Floor made from 28 mm pinewood boards
 2 tempered double glazed windows in the sauna room
 portable benches for the feet rest
 Heat-resistant plates for heater/ stove

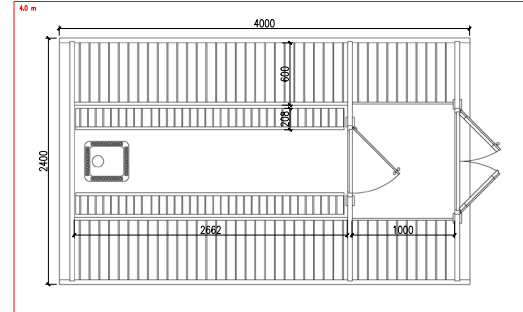
People: 4-6
 Timber: Pinewood
 Inside area: 5,1 m²
 Height: 2,6 m
 Wall thickness: 44 mm
 Floor thickness: 28 mm
 Roof: Bitumen shingles
 Door size: 850 x 1920 mm
 Windows (2 units):
 Tempered double glazed, 295 x 580 mm
 Terrace: 0,7m

STANDARD SET

Walls covered with the bitumen shingles
 Fresh style double glass door with the standard handle and the lock. Tempered tinted glass door.
 Floor made from 28 mm pinewood boards
 2 tempered double glazed windows in the sauna room
 portable benches for the feet rest
 Heat-resistant plates for heater/ stove

SPECIFICATION

People: 4-6
 Timber: Pinewood
 Inside area: 8,4 m²
 Sauna room: 2,3 m x 2,0 m
 Changing room 2,3 m x 1,668m
 Height: 2,6 m
 Wall thickness: 44 mm
 Floor thickness: 28 mm
 Roof: Bitumen shingles
 Door size: 1030 x 1900 mm; 700 x 1900 mm
 Windows (2 units):
 Tempered double glazed, 295 x 580 mm



SAUNA POD 2.4m x 4.0m

STANDARD SET

Walls covered with the bitumen shingles
 Fresh style double glass door with the standard handle and the lock. Tempered tinted glass door.
 Floor made from 28 mm pinewood boards
 2 tempered double glazed windows in the sauna room
 portable benches for the feet rest
 Heat-resistant plates for heater/ stove

SPECIFICATION

People: 4-6
 Timber: Pinewood
 Inside area: 9,6 m²
 Sauna room: 2,3 m x 2,3 m
 Changing room 2,3 m x 1,868 m
 Height: 2,6 m
 Wall thickness: 44 mm
 Floor thickness: 28 mm
 Roof: Bitumen shingles
 Door size: 1030 x 1900 mm; 700 x 1900 mm
 Windows (2 units):
 Tempered double glazed, 295 x 580 mm
 Terrace: 0,6 m



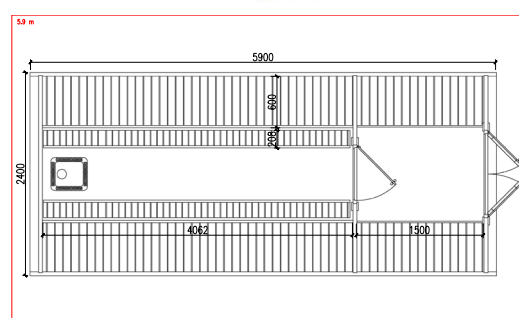
SAUNA POD 2.4m x 5.0m

STANDARD SET

Walls covered with the bitumen shingles
 Fresh style double glass door with the standard handle and the lock. Tempered tinted glass door.
 Floor made from 28 mm pinewood boards
 2 tempered double glazed windows in the sauna room
 portable benches for the feet rest
 Heat-resistant plates for heater/ stove

SPECIFICATION

People: 4-6
 Timber: Pinewood
 Inside area: 11,6 m²
 Sauna room: 2,3 m x 2,5 m
 Changing room 2,3 m x 2,568 m
 Height: 2,6 m
 Wall thickness: 44 mm
 Floor thickness: 28 mm
 Roof: Bitumen shingles
 Door size: 1030 x 1900 mm; 700 x 1900 mm
 Windows (2 units):
 Tempered double glazed, 295 x 580 mm
 Terrace: 0,6 m



SAUNA POD 2.4m x 5.9m



INDOOR SAUNA

CUSTOM SIZE INDOOR SAUNAS

STANDARD KIT INCLUDES

- Sauna height 2,1m
- Aspen/Linden/Alder inside boards and benches
- External walls MDF/ aquapanel panels
- wall thickness : decorative boards+frame with rockwool+MDF 15+48+6 total 69 mm
- glass wall, door thickness 8mm
- backrests
- Benches standard 2 stairs, cover boards between 1-2 stairs
- Door hinges "Dorma"
- Door handle: Metal-Wood
- Heater protective fence
- Lamp cover
- Pillows
- Ventilation openings
- Lamps



EXTRAS

- Exterior cover with decorative wooden boards m2
- Extra height each 10cm
- walls from thermo wood
- Benches Abachi wood
- Benches Canadian cedar
- Benches corner rounded 40°
- Benches with 12/23° corner
- Benches coverage from all side with decorative boards
- Benches coverage between 0-1 stair
- Side bench coverage
- Not square 3 stairs benches
- Roof angle
- walls niches/overhangs
- walls corner 45°
- Different walls angle
- other holes coverage with decorative boards m2
- Revision opening door
- Inside walls protection M2
- window in the wall
- standard glass wall with frame
- Relax bench 0,8x 2,1
- wall preparation for infrared heater pcs eur
- floor gratings 1 m2
- glass wall 10 mm
- "air" bench (without legs)



MODUL SAUNA

150 X 150



150 X 220



220 X 220



SAUNA ACCESSORIES



Wooden Bucket



Sauna Lamp



Sauna Lamp Cover



Head rest



Heater Safety Fence



Wooden Ladle



Hanger



Harvia Thermometer



Water Tank



Back Rest



Fully glazed sauna door



HOT TUBS

TYPES OF HOT TUBS



STANDARD SET INCLUDES

- Foam insulation
- firewood burning stove (ISIS 304 metal mark)
- insulated spa hud
- outside decorative boards (spruce wood)
- metal straps
- chimney 2m
- stair steps

ROUND WITH OUTSIDE HEATER



SQUARE WITH OUTSIDE HEATER



DOUBLE HOT TUB



ROUND WITH INTEGRAL HEATER



EXTRAS

HEATING

- external firewood stove (metal class 316)
- Integral firewood stove (metal class 316)
- 8 corner firewood stove (304)
- 8 corner firewood stove (316)
- Electric heater (6 kW)

SIZE AND TYPE

- Bigger diameter hot tub 2,25 m (Fiberglass)
- Premium acrylic liner (2,00 m) (Acrylic)
- Bigger diameter hot tub (2,25 m) (Acrylic)

SYSTEMS

- Hydro massage system / with LED
- Hydro massage system / with LED (for 2.25m diameter)
- Air massage jets
- Extra jets (1 pcs)
- Pipes with revision door for filtration system (304 metal)
- Sand filter (6m³, 15m³, 20m³)
- Electric drain relay with 304 metal door
- “Bluetooth” Audio system (Standard)
- “Bluetooth” Audio system (opening with LED)

LED LIGHTS

- LED light inside
- Mini LED inside/outside (1 pcs)
- Dekoratyvinis piešinys su LED

PILLOWS

- Pillows / pcs



EXTERIOR

Thermal wood for 2,00 m.
Thermal wood for 2,25 m.
Thermal wood for 2 person hot tub
WPC (wood coposite) for 2,00 m.
WPC (wood coposite) for 2,25 m.
burnt wood for 2,00 m.
burnt wood for 2,25 m.
burnt wood for 2 person hot tub



HEATERS EXTRAS

Extra 1m of chimney
Chimney top cover
Extra chimney protective (for outside heater)
external heater door with glass



ADDITIONS

Thermometer
wooden paddle
Water outlet outside (hot tubs with external heater)



STAIRS AND SAND FILTER BOX

Standard stairs (wooden)	Sand filter box (wooden)
thermo	thermo
WPC	WPC

DRINK TRAYS

metal drink tray 6 holes
floating pvc LED drink tray
wooden drink tray



STANDARD FREE COLORS

**LIGHT
YELLOW**

GREY

BROWN

**OIL
TRANSPARENT**

RED

